

# Namespaces

- Parameters, Parameter Passing, and Scope
- How are the names and object organized in Python
- Builtin
- Main
- Local

## Listing 6.7

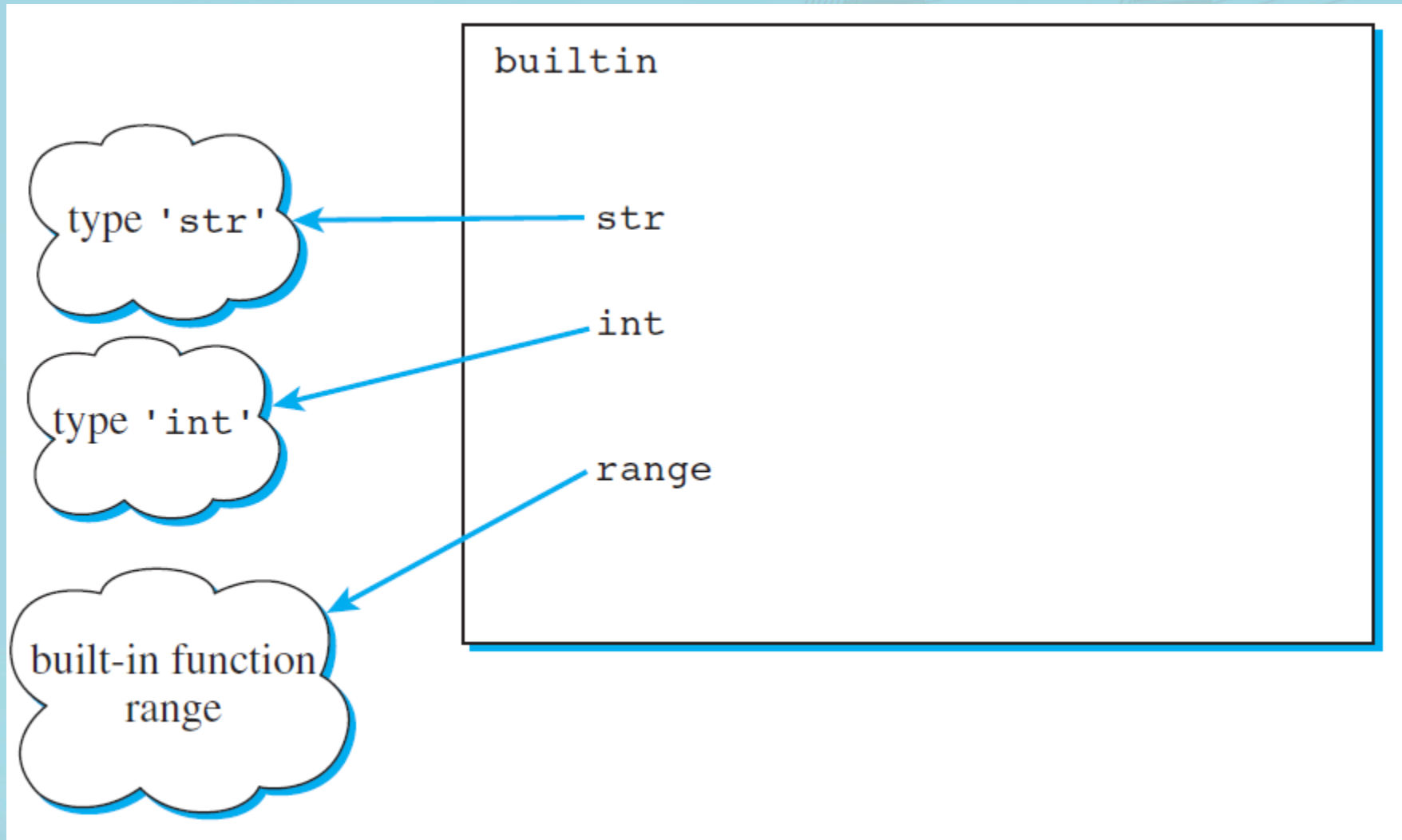
```
import math
```

```
def hypotenuse(a,b):
```

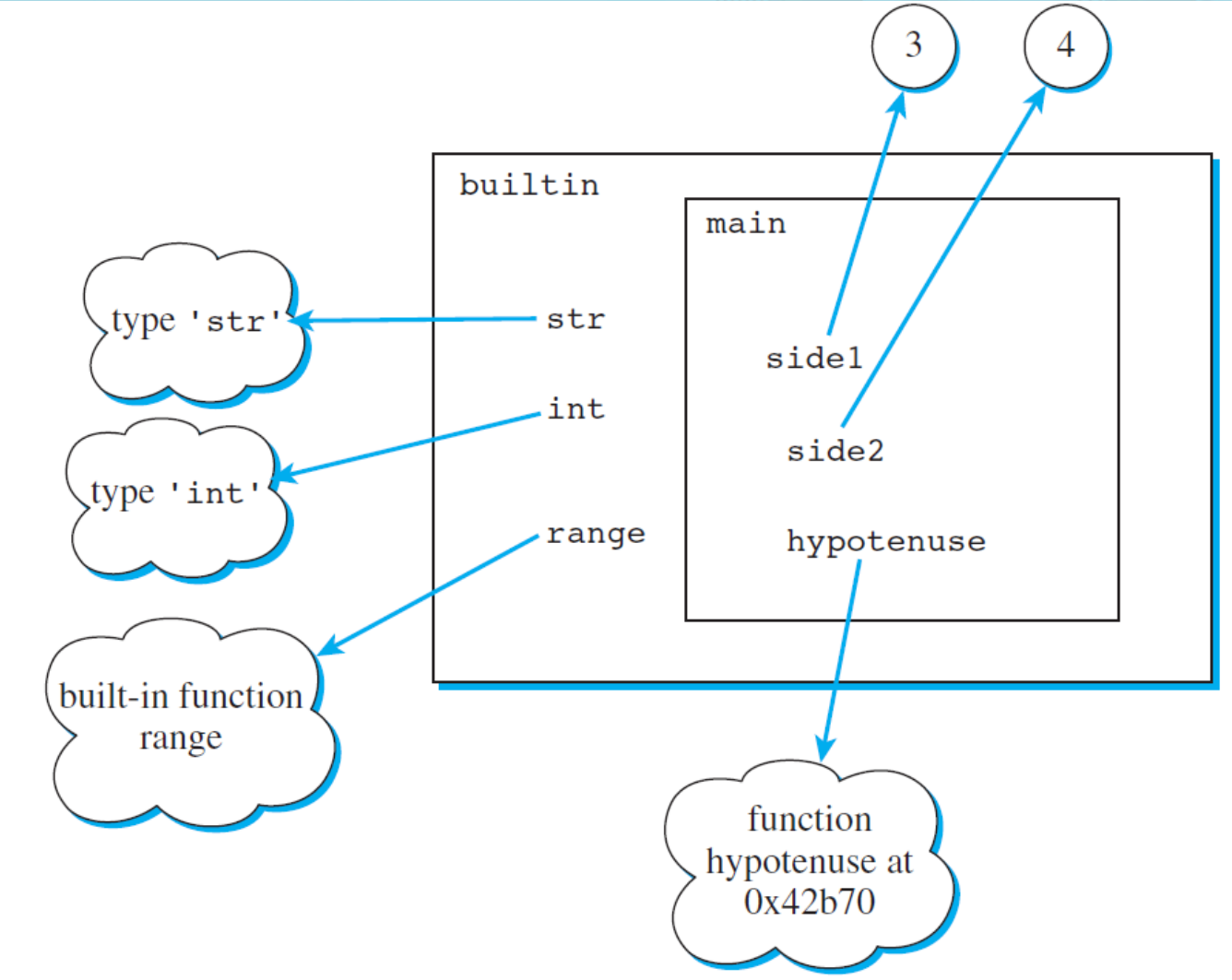
```
    c = math.sqrt(a**2 + b**2)
```

```
    return c
```

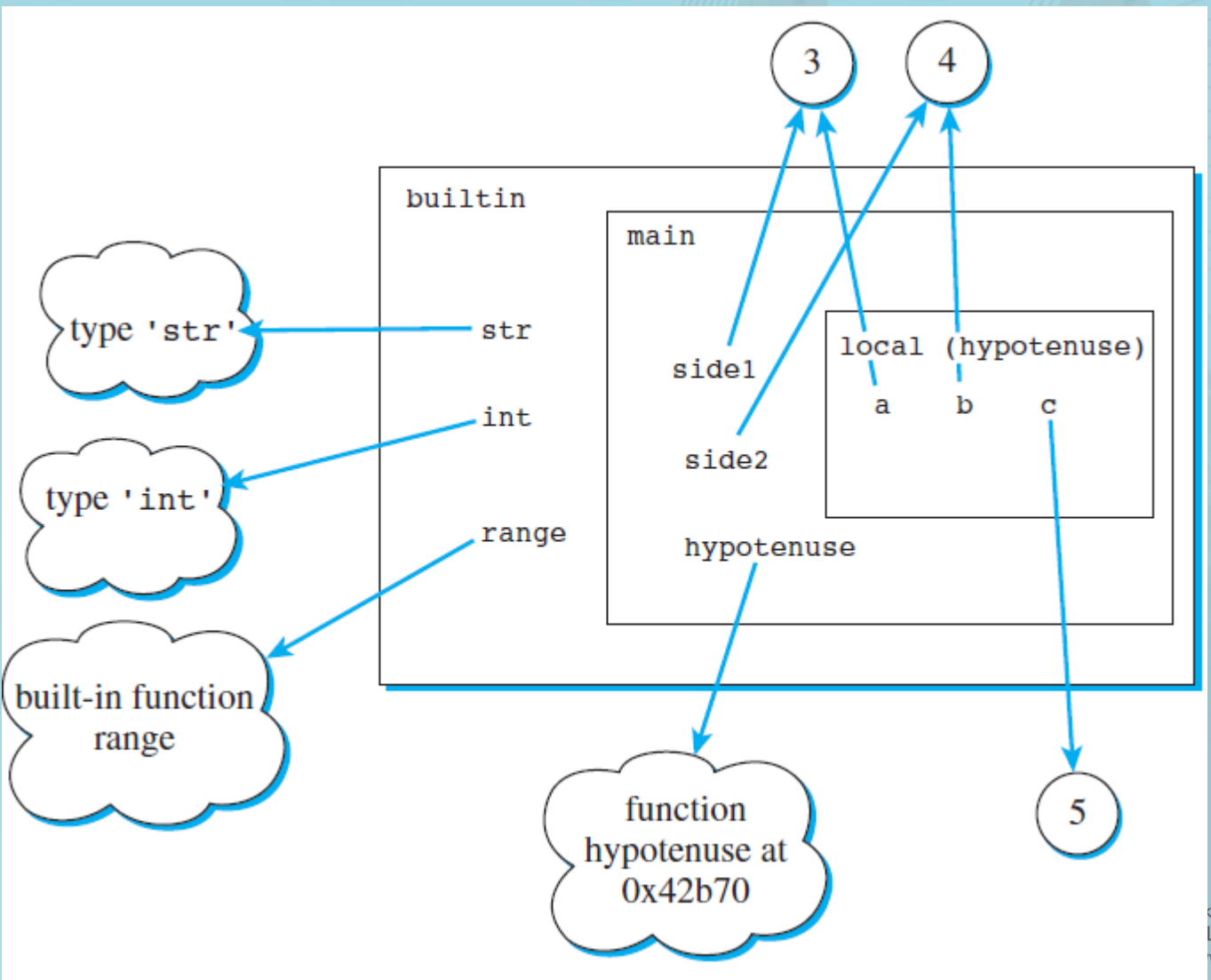
# Figure 6.9



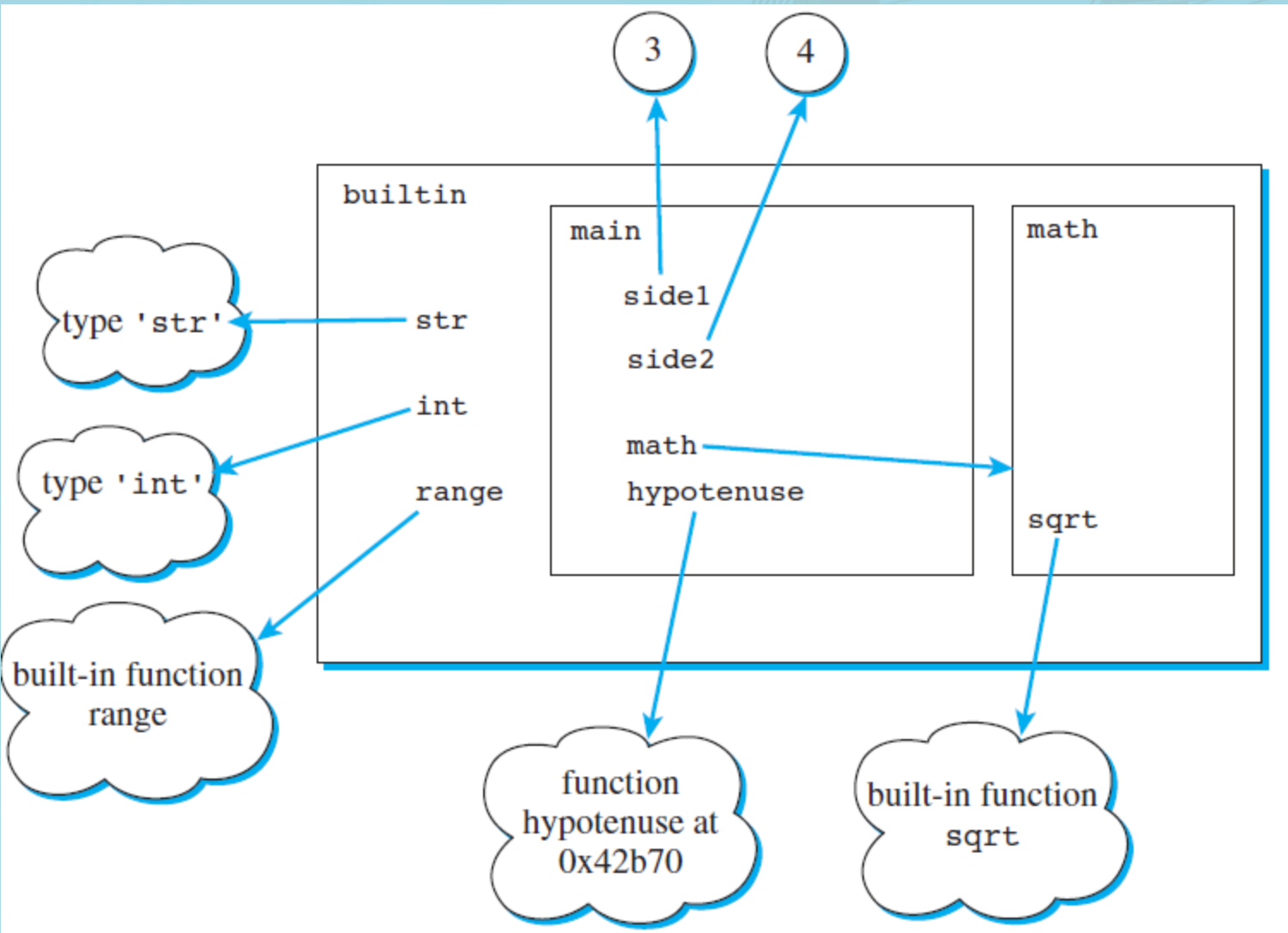
# Figure 6.10



# Figure 6.11



# Figure 6.12



# Figure 6.13

